

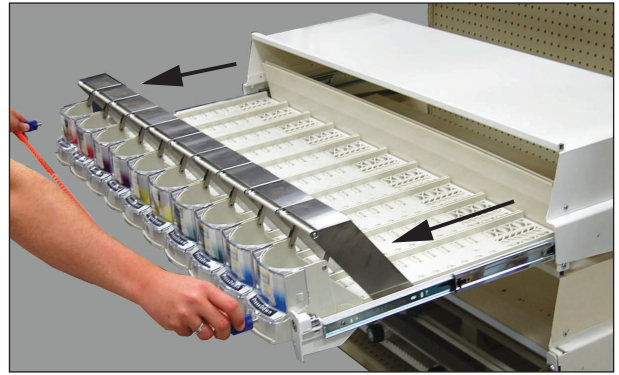
Infant Formula Merchandiser with Invisi-Shield™ Retrofit Kit

Installation Instructions

For Safety: Always use two people to lift Infant Formula Shelf.

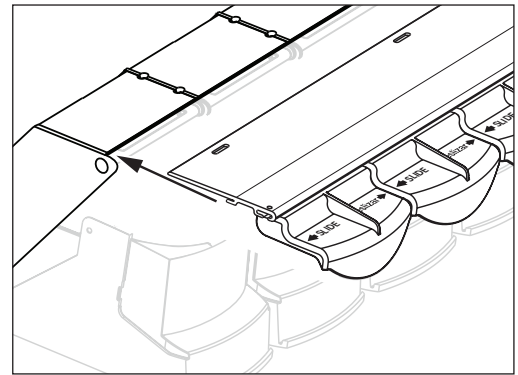
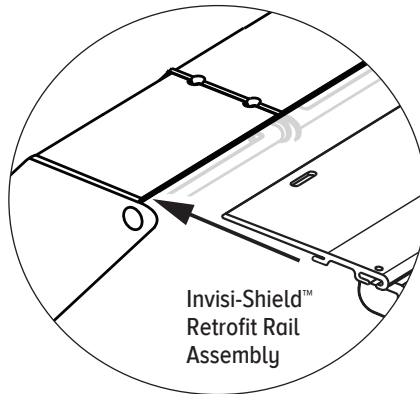
1

Using the keys provided with each shelf, insert and turn both keys clockwise to unlock and open the drawer. Pull out the shelf tray. Remove the keys when the shelf is opened.



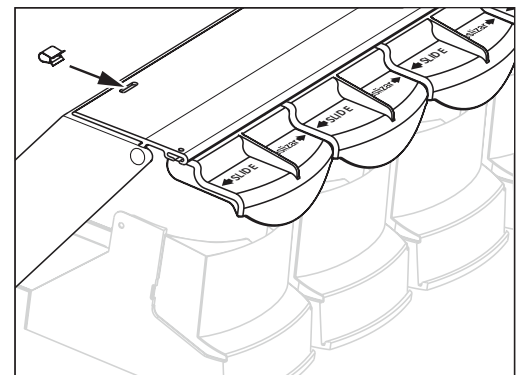
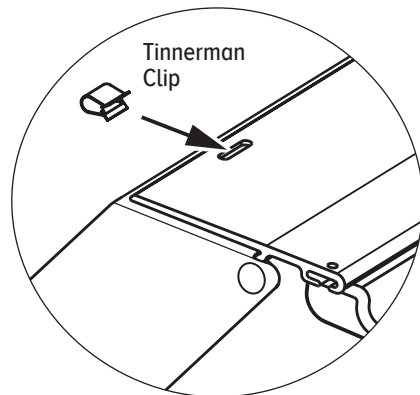
2

Place the Invisi-Shield™ Retrofit Rail Assembly in place by aligning ends of the rail with ends of the modules and pushing in place with the Rail Assembly channel hooking into the metal frame of the modules.



3

With the Rail Assembly seated firmly against the front edge of the metal frames of the modules, install the Tinnerman clips to join the Rail Assembly and metal frames. Install (1) Tinnerman clip for every slot in the Rail Assembly (6 for 48" shelf, 4 for 36" shelf).



4

Assembly is complete. If not stocking, push in tray and lock in place.



20190503

For more information,
call **800.422.2547**
visit **www.siffron.com**

siffron
always on